

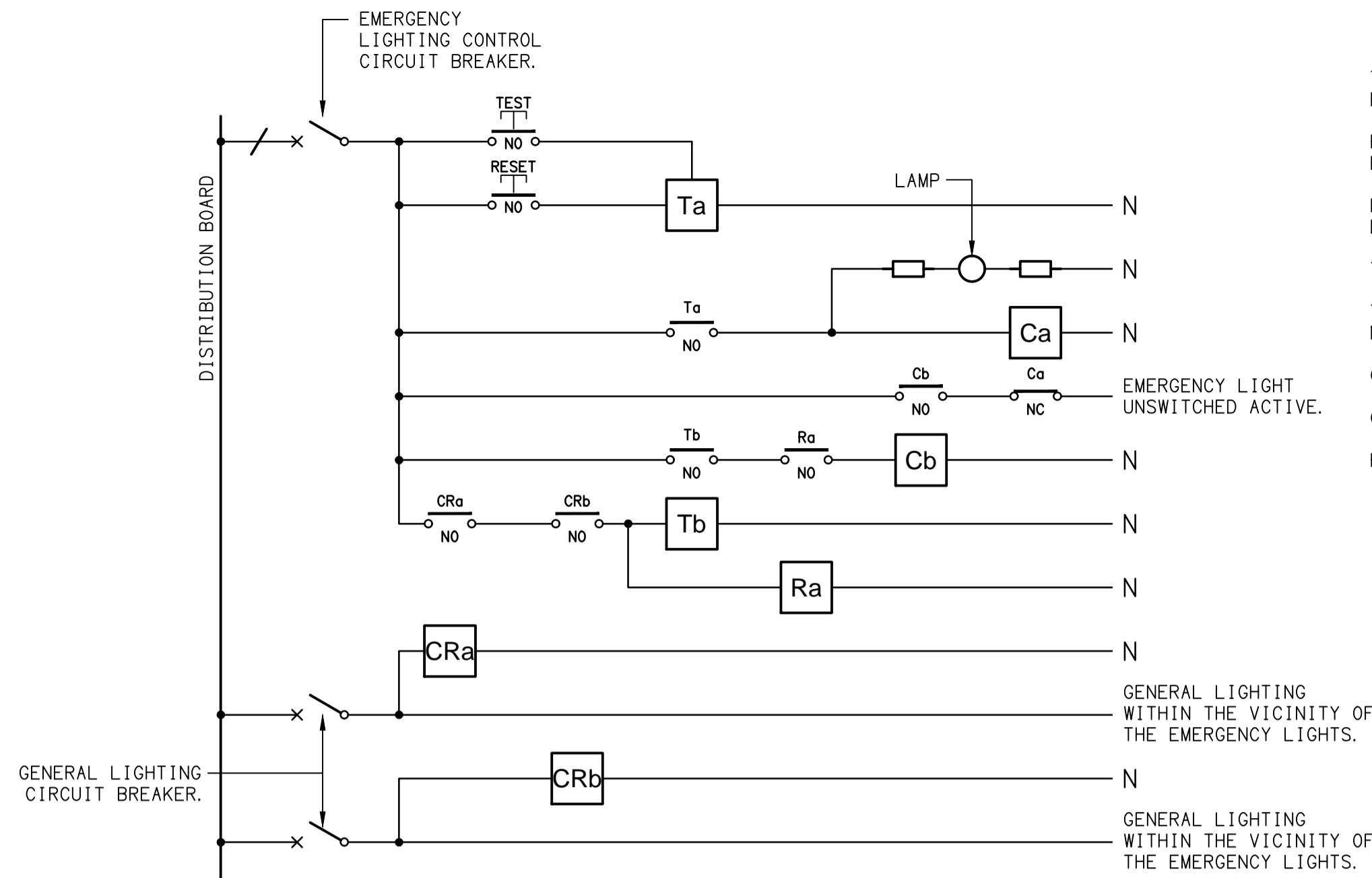
LEGEND

THE LIGHT FITTING SUPPLIER CONTACT DETAILS MAY BE AVAILABLE ON THE EDG WEBSITE VIA THE FOLLOWING LINK www.edg.net.au/Links/Lighting.htm

TYPE	LAMPS	DESCRIPTION	COLOUR / ACCESSORY	CATALOGUE No
L1	50W 4000K LED	POLE MOUNTED CARPARK LIGHT C/W INTEGRAL DRIVER WITH THE FITTING 6M ABOVE THE LEVEL 1 CARPARK DECK. ALL CONDUITS ARE TO HAVE A SPARE DRAW WIRE AND BE SHOWN ON THE AS CONSTRUCTED DOCUMENTS.	BLACK FITTING BLACK POLE	MELEC ML-ROX-50-4K-BK
L2	2 X 50W 4000K LED	TWIN POLE MOUNTED CARPARK LIGHTS C/W INTEGRAL DRIVER WITH THE FITTINGS 6M ABOVE THE LEVEL 1 CARPARK DECK. ALL CONDUITS ARE TO HAVE A SPARE DRAW WIRE AND BE SHOWN ON THE AS CONSTRUCTED DOCUMENTS.	BLACK FITTING BLACK POLE	2 X MELEC ML-ROX-50-4K-BK
L3	36W LED 4000K	SURFACE MOUNTED IP66 1200 LONG BATTEN C/W INTEGRAL DRIVER AND A MOVEMENT SENSOR	LIGHT GREY	EQUAL TO GAMMA STORM 1558-CCT-36W MS
L4	90W 5000K LED	SURFACE MOUNTED IP 65 CARPARK ENTRY LIGHT C/W INTEGRAL DALI DIMMABLE DRIVER AND ILLUMINATION LEVEL / MOVEMENT SENSOR. PROVIDE THE EXTERNAL CARPARK INSTALLATION WITH AN enLIGHTEN CECS CONTROLLER.	BLACK	EQUAL TO enLIGHTEN TAURO BLACK TB90-57-AR1-CECS
L5	42W 5000K LED	SURFACE MOUNTED IP 65 CARPARK ENTRY LIGHT C/W INTEGRAL DRIVER.	BLACK	EQUAL TO enLIGHTEN CHAMELEON 11 CHAM-C/BL12
L6	36W LED 4000K	SURFACE MOUNTED IP66 1200 LONG BATTEN C/W INTEGRAL DRIVER AND AN UNSWITCHED AS2293 NON MAINTAINED EMERGENCY PACK CONFIGURED TO ONLY OPERATE UPON MAINS FAILURE	LIGHT GREY	EQUAL TO GAMMA STORM 1558-CCT-36W
L7	17W LED 4000K	SURFACE MOUNTED DOWNLIGHT C/W INTEGRAL DRIVER	WHITE	BEGA 34021
L8	3000K LED 1000 LUMEN / METER	SURFACE MOUNTED IP66 EXTRUSION FIXED TO THE UNDERSIDE OF THE BEAM AS PER THE ARCHITECTURAL DETAIL. THE FITTING IS TO SPAN THE FULL WIDTH OF THE WALKWAY HARD BETWEEN THE COLUMNS. PROVIDE THE FITTING WITH A REMOTE DRIVER LOCATED IN A CONCEALED ACCESSIBLE POSITION.	BLACK	KLIK SYSTEMS EKKO 026 BEAM D
L9	100W 4000K LED	9M POLE AND CARPARK LIGHT C/W INTEGRAL DRIVER ALL CONDUITS ARE TO HAVE A SPARE DRAW WIRE AND BE SHOWN ON THE AS CONSTRUCTED DOCUMENTS.	BLACK FITTING BLACK POLE	MELEC ML-ROX-100-4K-BK
L10	22W 4000K LED	WALL MOUNTED IP65 DOWNLIGHT C/W INTEGRAL DRIVER	BLACK	GAMMA ILLUMINATION RODIO 1806-4K-22W
EX	LED	EXIT LIGHT: MAINTAINED WEATHER PROOF 24M VIEWING DISTANCE EXIT LIGHT C/W DIFFUSERS & DIRECTIONAL ARROWS AS SHOWN. CEILING OR WALL MOUNT BETWEEN 2100mm & 2700mm AFFL IF THERE IS NO VERTICAL SURFACE TO MOUNT THE FITTING ON WITHIN THIS RANGE CONFIRM THE MOUNTING HEIGHT WITH THE ENGINEER. AS2293 CLASSIFICATION CO-D1.25- C90-D2	WHITE	EQUAL TO CLEVERTRONICS LWELED
EMERGENCY PACK		LIGHT FITTINGS THAT ARE DESIGNATED AS BEING PROVIDED WITH AN EMERGENCY PACK ARE TO BE PROVIDED WITH AN INTEGRAL AS2293 EMERGENCY PACK. THE FITTINGS ARE TO BE NON MAINTAINED WITH ALL LAMPS SWITCHED AS PER THE LIGHTING CONTROL FOR THAT SPACE UNLESS NOTED OTHERWISE. REFER TO THE SPECIFICATION FOR FURTHER DETAILS OF THE CONFIGURATION AND SWITCHING OF EMERGENCY LIGHTS.		
WP		IP54 WEATHERPROOF SINGLE / DOUBLE POWER OUTLET AS NOTED ON DRAWING C/W COVER FLAP OVER SOCKET. MOUNT AT MINIMUM 1100mm AFFL U.N.O. RATING 10A U.N.O.		CLIPSAL WSCF227F
SIGNAGE CONNECTION		COORDINATE THE LOCATION AND CONNECTION WITH THE SIGN CONTRACTOR ENSURING THE GPO / ISOLATORS ARE PROVIDED WITH APPROPRIATE WEATHER PROTECTION AND ARE CONCEALED FROM VIEW.		
SINGLE-PHASE ISOLATOR		SINGLE-PHASE WEATHERPROOF ISOLATOR. MOUNT AT 1350mm AFFL U.N.O. RATING 20A U.N.O. CONNECT TO EQUIPMENT VIA FLEXIBLE CONDUIT.		CLIPSAL WHT20
THREE-PHASE ISOLATOR		THREE-PHASE WEATHERPROOF ISOLATOR. MOUNT AT 1350mm AFFL U.N.O. RATING 20A U.N.O. CONNECT TO EQUIPMENT VIA FLEXIBLE CONDUIT.		CLIPSAL WHT35
DB-C		CARPARK DISTRIBUTION BOARD DB-C AS PER THE DB-C SCHEDULE, DB-C SCHEMATIC AND NOTES. PROVIDE A SHOP DRAWING OF DB-C FOR APPROVAL.		
MSB		MAIN SWITCHBOARD TO BE PROVIDED WITH A NEW MCCB TO SUPPLY DB-C. UPDATED THE MSB LABELS AT PRACTICAL COMPLETION.		

NOTE

ALL ELECTRICAL PENETRATIONS THROUGH THE ROOF SHEETING ARE TO BE IN LINE WITH THE STRUCTURAL OR MECHANICAL SERVICES PENETRATIONS TO AVOID DEDICATED FLASHINGS FOR THE ELECTRICAL SERVICES.



EQUIPMENT:

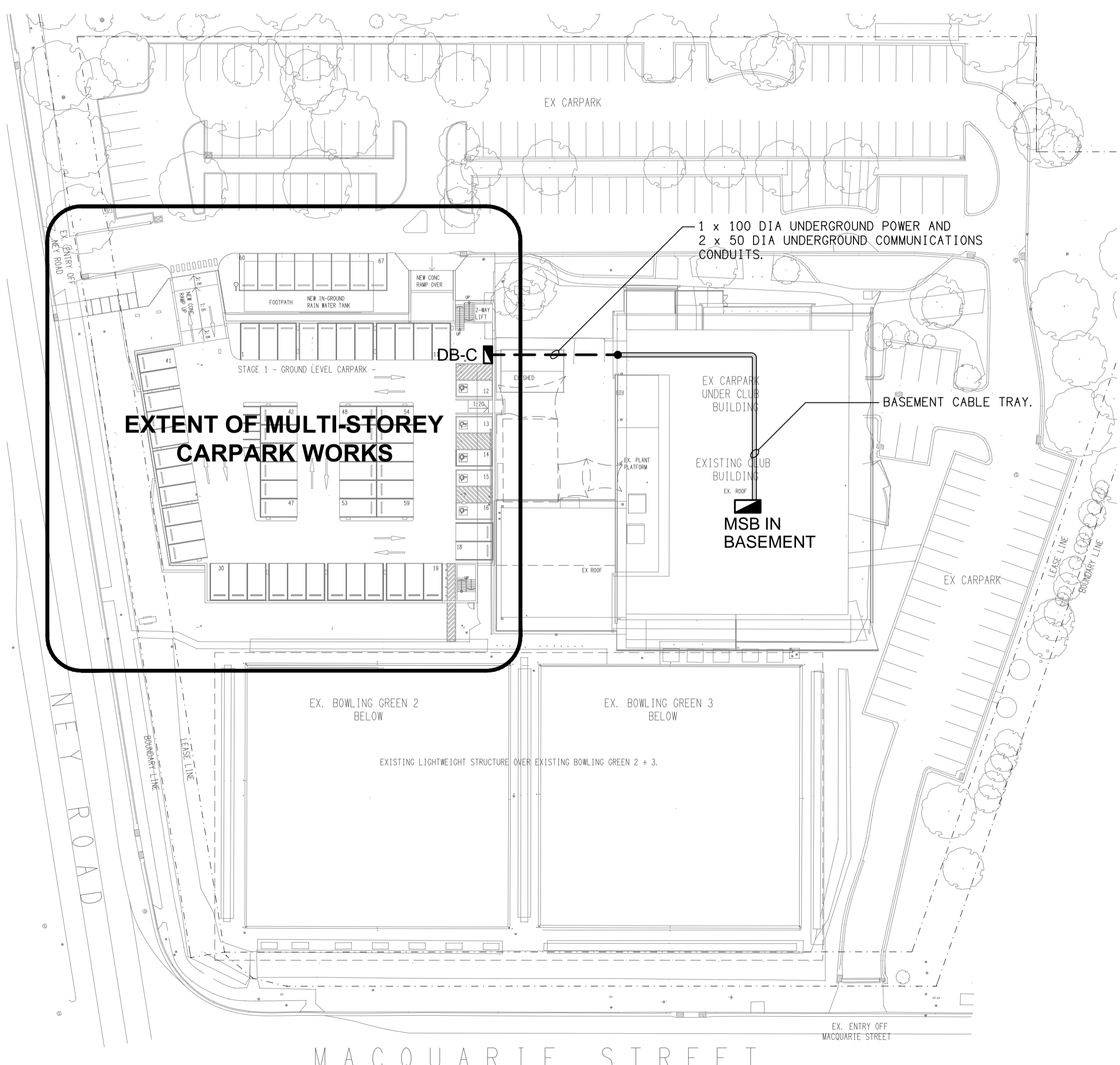
- TEST - TEST PUSH BUTTON MOUNTED ON THE DISTRIBUTION BOARD ESCUTCHEON.
- RESET - RESET PUSH BUTTON MOUNTED ON THE DISTRIBUTION BOARD ESCUTCHEON.
- LAMP - AMBER TEST INDICATING LAMP MOUNTED ON THE DISTRIBUTION BOARD ESCUTCHEON.
- Ta - ADJUSTABLE 0-3 HOUR TIMED RELAY.
- Tb - 15 MINUTE RUN-ON TIMER TO OPERATE UPON THE RETURN OF MAINS POWER.
- Cx - CONTACTOR x.
- CRx - CONTROL RELAY x.
- Rx - RELAY x.

THE COPYRIGHT OF THIS DRAWING REMAINS THE PROPERTY OF THE ELECTRICAL DESIGN GROUP.
USE FIGURED DIMENSIONS IN PREFERENCE TO SCALE.
ALL DIMENSIONS TO BE VERIFIED ONSITE.

NOTES

- THE EMERGENCY LIGHT UNSWITCHED ACTIVE / GENERAL LIGHTING SWITCHED ACTIVE CIRCUIT ARRANGEMENT AND CONTROL IS TYPICAL FOR ALL CIRCUITS SUPPLYING EMERGENCY LIGHTS.
- PROVIDE ADDITIONAL CONTROL RELAYS (CRx) CONFIGURED AS PER CRa AND CRb FOR ALL ADDITIONAL LIGHTING CIRCUITS THAT SUPPLY LIGHTS IN THE VICINITY OF THE EMERGENCY LIGHTS.

**SCHEMATIC
EMERGENCY LIGHTING
NOT TO SCALE**



**EXTENT OF MULTI-STOREY
CARPARK WORKS**

SITE PLAN
EXTENT OF MULTI-STOREY CARPARK WORKS
SCALE 1:500

A	PRELIMINARY	20/02/2025
REV:	DESCRIPTION:	DATE:

ELECTRICAL DESIGN GROUP
ELECTRICAL BUILDING SERVICES CONSULTANTS

BRISBANE: P.O. Box 15 Sherwood Qld 4075
Phone: (07) 3278 4375
Email: brisbane@edg.net.au
Web: www.edg.net.au

ELECTRICAL DESIGN GROUP BRISBANE / TRADING AS:
PTY LTD ACN 092 710 793 ELECTRICAL DESIGN GROUP

PROJECT:
**CAPALABA SPORTS CLUB
MULTI-STOREY CARPARK**

SITE ADDRESS:
113 NEY ROAD, CAPALABA

SCALE: 1:500 UNO SHEET SIZE: AT A1

DRAWING TITLE:
**ELECTRICAL SERVICES
LEGEND & SITE PLAN**

PROJECT NO: DRAWING NO: REVISION:
C3455a E01 A